

Please read and save these instructions. Read through this owner's manual carefully before using product. Protect yourself and others by observing all safety information, warnings, and cautions. Failure to comply with instructions could result in personal injury and/or damage to product or property. Please retain instructions for future reference.



1,000 LB. 2 STAGE TELESCOPING TRANSMISSION JACK

FOR CUSTOMER SERVICE

Technical Question?

CALL 1-866-458-2472
customerservice@oem-tools.com

UNPACKING

After unpacking unit, inspect carefully for any damage that may have occurred during transit. Check for loose, missing, or damaged parts. If any damage is observed, a shipping damage claim must be filed with carrier. DO NOT use the OEMTOOLS® 24790 1,000 Lb. 2 Stage Telescoping Transmission Jack if broken, bent, cracked or damaged parts (including labels) are noted. Any Transmission Jack that appears damaged in any way, operates abnormally or is missing parts should be removed from service immediately. If you suspect that the Transmission Jack was subjected to a shock load (a load that was dropped suddenly, unexpectedly, etc.), immediately discontinue use until it has been checked by a factory authorized service center.

Open the Air Vent Valve on the side of the Jack Cylinder by turning 2 full turns counterclockwise before using.



⚠WARNING

The following safety information is provided as a guideline to help you operate your Transmission Jack under the safest possible conditions. Any tool or piece of equipment can be potentially dangerous to use when safety or safe handling instructions are not known or not followed. The following safety instructions are to provide the user with the information necessary for safe use and operation. Please read and retain these instructions for the continued safe use of your Transmission Jack. Failure to follow instructions listed below may result in serious injury. In addition, make sure that anyone who uses the equipment understands and follows these safety instructions as well.

Explanation of Safety Signal Words

⚠WARNING: Indicates a potentially hazardous situation which, if not avoided, could result in death or serious injury.

⚠CAUTION: Indicates a potentially hazardous situation which, if not avoided, may result in minor or moderate injury.

CAUTION: Used without the safety alert symbol indicates a potentially hazardous situation which, if not avoided, may result in property damage.

NOTES: Provide clarity and helpful information.

Thank you very much for choosing an OEMTOOLS® Product!

For future reference, please register your new tool at www.oem-tools.com and complete the owner's record below:

Model: _____ **Purchase Date:** _____

Save the receipt, warranty and these instructions. It is important that you read the entire manual to become familiar with this product before you begin using it. This product is designed for certain applications only. OEMTOOLS® cannot be responsible for issues arising from modification. We strongly recommend that this product is not modified and/or used for any application other than that for which it was designed. If you have any questions relative to a particular application, DO NOT use the product until you have first contacted customer service to determine if it can or should be performed on the product.

⚠WARNING: This product can expose you to chemicals which are known to the State of California to cause cancer and birth defects or other reproductive harm. For more information go to www.P65Warnings.ca.gov.



1,000 LB. 2 STAGE TELESCOPING TRANSMISSION JACK

! IMPORTANT INSTRUCTIONS AND SAFETY RULES

1. Know your product. Read this manual carefully. Learn the product's applications and limitations, as well as potential hazards specific to it. The use of this product is simple and straightforward if you follow the instructions. When operating this product, use common sense and only use this product for its intended purpose.
2. Maintain labels and nameplates on this product. These carry important information. If unreadable or missing, contact OEMTOOLS® for a replacement.
3. Maintain this product with care. Keep it dry and clean – and free from brake fluid, oil, and grease (if applicable).
4. Check for damage. Check your product regularly. If part of the product is damaged, it should be carefully inspected to make sure that it can perform its intended function correctly. If in doubt, the part should be repaired. Refer all servicing to a qualified technician. Consult your dealer for advice.
5. Check for misalignment or binding of moving parts, breakage of parts, and any other condition that may affect the product's operation.
6. DO NOT use a damaged product. Tag damaged products "DO NOT USE" until repaired. If damaged, have the product serviced before using. Many accidents are caused by poorly maintained products.
7. Service must be performed only by qualified repair personnel. Service or maintenance performed by unqualified personnel could create a risk of injury.
8. When servicing a product, use only identical replacement parts. Use of unauthorized parts or failure to follow maintenance instructions could create a risk of injury.
9. Use only accessories that are recommended by the manufacturer for your model. Accessories that may be suitable for one product may become hazardous when used on another product.
10. Keep work area clean and well lit. Cluttered or dark work areas invite accidents.
11. Maintain a safe working environment. Keep the work area well lit. Make sure there is adequate surrounding workspace. Keep the work area free of obstructions, grease, oil, trash, and other debris. DO NOT use this product in a damp or wet location.
12. Keep children away from the work area. Never let a child handle this product without strict adult supervision.
13. Store this product out of the reach of children and untrained persons. This product may be dangerous in the hands of untrained users.
14. DO NOT operate this product if under the influence of alcohol or drugs. Read warning labels on prescriptions to determine if your judgment or reflexes are impaired while taking drugs. If there is any doubt, DO NOT attempt to operate.
15. Use safety equipment. Eye protection should be worn at all times when operating this product. Use ANSI approved safety glasses. Everyday eyeglasses are NOT safety glasses. Dust mask, non-skid safety shoes, hard hat or hearing protection should be used in appropriate conditions.
16. Wear proper apparel. Loose clothing, gloves, neck-ties, rings, bracelets or other jewelry may present a potential hazard when operating this product. Keep all apparel clear of the product.
17. DO NOT overreach. Keep proper footing and balance at all times when operating this product.
18. Keep away from flammables. DO NOT attempt to operate this product near flammable materials or combustibles. Failure to comply may cause serious injury or death.
19. Avoid accidental fire and/or explosion. DO NOT smoke near engine fuel and battery components.
20. We believe the information contained herein to be reliable. However, general technical information is given by us without charge and the user shall employ such information at their own discretion and risk. We assume no responsibility for results or damages incurred from the use of such information in whole or in part. Always refer to specific instructions and technical information supplied by vehicle manufacturer.
21. The manufacturer declines any and all responsibility for property damage or injury if said damage is the result of unskillful handling by the operator or of failure to observe the basic safety rules set forth in the instruction manual.
22. The warnings, precautions, and instructions discussed in this manual cannot cover all possible conditions and situations that may occur. The operator must understand that common sense and caution are factors which cannot be built into this product, but must be supplied by the operator.

PRODUCT DESCRIPTION

The 1,000 Lb. 2 Stage Telescoping Transmission Jack is designed to be used as an aid in the removal and installation of automotive and light truck transmissions, transfer cases and transaxles. This telescopic style Transmission Jack is for use under an overhead lift or in a garage pit.

PRODUCT SPECIFICATIONS

Weight Capacity	1,000 Lb.
Lift Range	37" - 76.4"

SPECIFIC SAFETY INSTRUCTIONS AND WARNINGS

!WARNING: NEVER use for any purpose other than those uses outlined above!

1. Verify that the product and application are compatible; if in doubt, call OEMTOOLS® at 1-866-458-2472.
2. Before using this product, read the operator's manual completely and familiarize yourself thoroughly with the product and its components, and recognize the hazards associated with its use.
3. Wear appropriate safety gear (including heavy duty work gloves and ANSI-approved safety goggles) during use.



1,000 LB. 2 STAGE TELESCOPING TRANSMISSION JACK

4. Ensure the Transmission Jack rolls freely. Raise and lower the unloaded Transmission Jack throughout the lifting range before putting into service to ensure the pump operates smoothly. Replace worn or damaged parts.
 5. DO NOT exceed the weight capacity of the Transmission Jack. Make sure weight is evenly distributed. Be aware of dynamic loading! Sudden load movement may briefly create excess load causing product failure. Exceeding the maximum capacity for this product is dangerous and can lead to serious injury or property damage.
 6. Never use this device as a work/repair station. Transfer the load immediately to a suitable work station.
 7. Always evaluate your task before using this product. This Transmission Jack is designed to support a transmission or a differential as individual components. Use only as intended.
 8. Assemblies such as differential with axle, or transmission with bell housing, can be bulky and difficult to balance. Lifting or supporting such assemblies, even within weight limit, can create an off-balance situation, causing the Transmission Jack to tip over and MAY lead to serious personal injury or property damage.
 9. The load should be evenly distributed on the Transmission Jack, and should not extend beyond the area of the caster wheelbase. Always use the chains provided to secure the load. If extra support is required, safety straps (not included) can also be used to secure the work piece.
 10. Use only a hard, level and flat surface capable of bearing the combined weight of the Transmission Jack, the load being lifted, the operator and any tools being used.
 11. If loaded Transmission Jack must be moved, make certain that the load is secured by appropriate means, is stable, is in the lowest possible position, is moved over a smooth, hard level surface, and that the lifting platform is level.
 12. If you are working and the load becomes off-balance and/or the Transmission Jack begins to tip over,

▲WARNING: DO NOT ATTEMPT TO CATCH OR LIFT THE LOAD WHEN FALLING. SERIOUS PERSONAL INJURY CAN RESULT! In this event, clear the area as quickly and safely as possible in order to avoid injury from the falling load, including getting hit with flying fragments.
 13. Before each use, inspect the general condition of the Transmission Jack. Check for oil leaks, Transmission Jack operation, loose components, free rotation and pivoting of saddle adjustment components. If a problem occurs, have the problem corrected before further use.
3. Install the Saddle (#04) onto the Transmission Jack and tighten the bolt on the saddle to secure the saddle.

▲WARNING: to prevent serious injury: do not use a damaged or malfunctioning jack.

 1. Make sure the casters are locked before use.
 2. The Transmission Jack is not designed to lift or lower a vehicle.
 3. If in doubt about the safety of your project, we advise you to have the work done by a professional familiar with applicable safety practices.

OPERATION

Please bleed the Transmission Jack according to the bleeding instructions before you start using the Transmission Jack.

1. Follow the instructions for removal and installation of transmission, transfer case or transaxle according to the vehicle manufacturer's service manual.
2. Prior to initial use, jack up the saddle and, using the release valve, attempt to lower it. This will help you become familiar with the control functions and Transmission Jack.
3. Once the vehicle is safely and properly secured, position the Transmission Jack underneath the vehicle.
4. Raise the Transmission Jack by operating the foot pump until the saddle reaches the component. After making contact with the transmission, make sure it is centered within the brackets on the saddle plate. Use adjustment knobs to position the saddle base.
5. Lift the Transmission Jack slightly to transfer the weight of the transmission from the vehicle chassis to the Transmission Jack. Secure the chain assembly around the component.
6. Remove transmission fasteners, freeing it from the vehicle. Make sure there is nothing to restrict the movement of the transmission.
7. Back transmission away to free from engine.
8. Check the saddle, making sure it is securely holding and aligned with the transmission and not showing any signs of stress. Carefully lower transmission and saddle by depressing the release valve. Always lower the saddle slowly.
9. Once the transmission has been disconnected from the engine, very slowly operate the release pedal. Make sure the Transmission Jack's saddle and transmission do not hang up on any under vehicle components, wiring, fuel lines, etc. Continue to lower the Transmission Jack all the way down.
10. After removal, lower the Transmission Jack to the lowest possible point before attempting to move the jack.

▲WARNING: The Transmission Jack is designed to lift loads only for short periods of time. DO NOT use to suspend a load for more than 30 minutes at a time.

11. To re-mount the transmission, reverse this procedure.

ASSEMBLY

1. Connect Bases (#43) to the pump frame by using a Flat Washer (#48), Lock Washer (#49) and Bolt (#50).
2. Attach 2 pieces of Locking Castors (#47) and 2 Wheels (#52) to the base by using Nut (#44), Flat Washer (#45) and Lock Washer (#46).



1,000 LB. 2 STAGE TELESCOPING TRANSMISSION JACK

MAINTENANCE

A. BLEEDING

If the jack is not able to raise the load or raises very slowly, follow these instructions:

1. Turn the Vent Screw (#26) counterclockwise to make it open.
2. Use Allen wrench to open the following screw on the foot pedal. (See Figure 1)

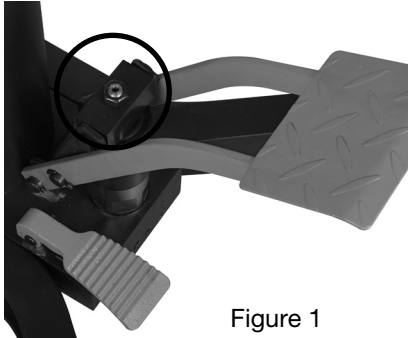


Figure 1

3. Operate the Pump Pedal (#38) until the hydraulic fluid escapes from the screw hole and there are no air bubbles.
4. Tighten the screw.
5. Test to see if the telescopic rams are working smoothly or not.
6. Repeat steps 1 through 4 if the condition has not been fully corrected.

If the jack's telescopic rams do not raise or lower smoothly, follow these instructions:

1. Turn the Vent Screw (#26) counterclockwise to make it open.
2. Press the Pump Pedal (#38) until both rams are at maximum extension.
3. Use an Allen wrench to turn the screw in the primary cylinder nut counterclockwise 1/2 turn. (See Figure 2)



Figure 2

4. Press the Pump Pedal (#38) two or three times until the hydraulic fluid escapes from the screw hole and there are no air bubbles.
5. Tighten the screw.
6. Test to see if the telescopic rams are working smoothly or not.
7. Repeat steps 1 through 4 if the condition has not been fully corrected.

B. ADDING OIL

With saddle fully lowered, set Transmission Jack in its upright, level position. Remove oil filler plug. Fill until oil is level with the oil filler hole; re-install oil filler plug.

IMPORTANT: Use only good grade hydraulic Transmission Jack oil. Avoid mixing different types of fluid and NEVER use brake fluid, turbine oil, transmission fluid, motor oil or glycerin. Improper fluid can cause premature failure of the Transmission Jack and the potential for sudden and immediate loss of load.

C. CHANGING OIL

For best performance and longest life, replace the complete fluid supply at least once per year.

1. With saddle fully lowered, remove oil filler plug.
2. Lay the Transmission Jack on its side and drain the fluid into a suitable container.

NOTE: Dispose of hydraulic fluid in accordance with local regulations.

3. Set Transmission Jack in its level position. Fill until oil is level with the oil filler hole, re-install oil filler plug.

D. LUBRICATION

A periodic coating of light lubricating oil to pivot points, axles and hinges will help to prevent rust and ensure that casters and pump assemblies move freely.

E. CLEANING

Periodically check the pump piston and ram for signs of rust or corrosion. Clean as needed and wipe with an oily cloth.

NOTE: Never use sandpaper or abrasive material on these surfaces!

STORAGE

When not in use, store the Transmission Jack with saddle fully lowered.

Always store the Transmission Jack in a well-protected area where it will not be exposed to inclement weather, corrosive vapors, abrasive dust, or any other harmful elements.

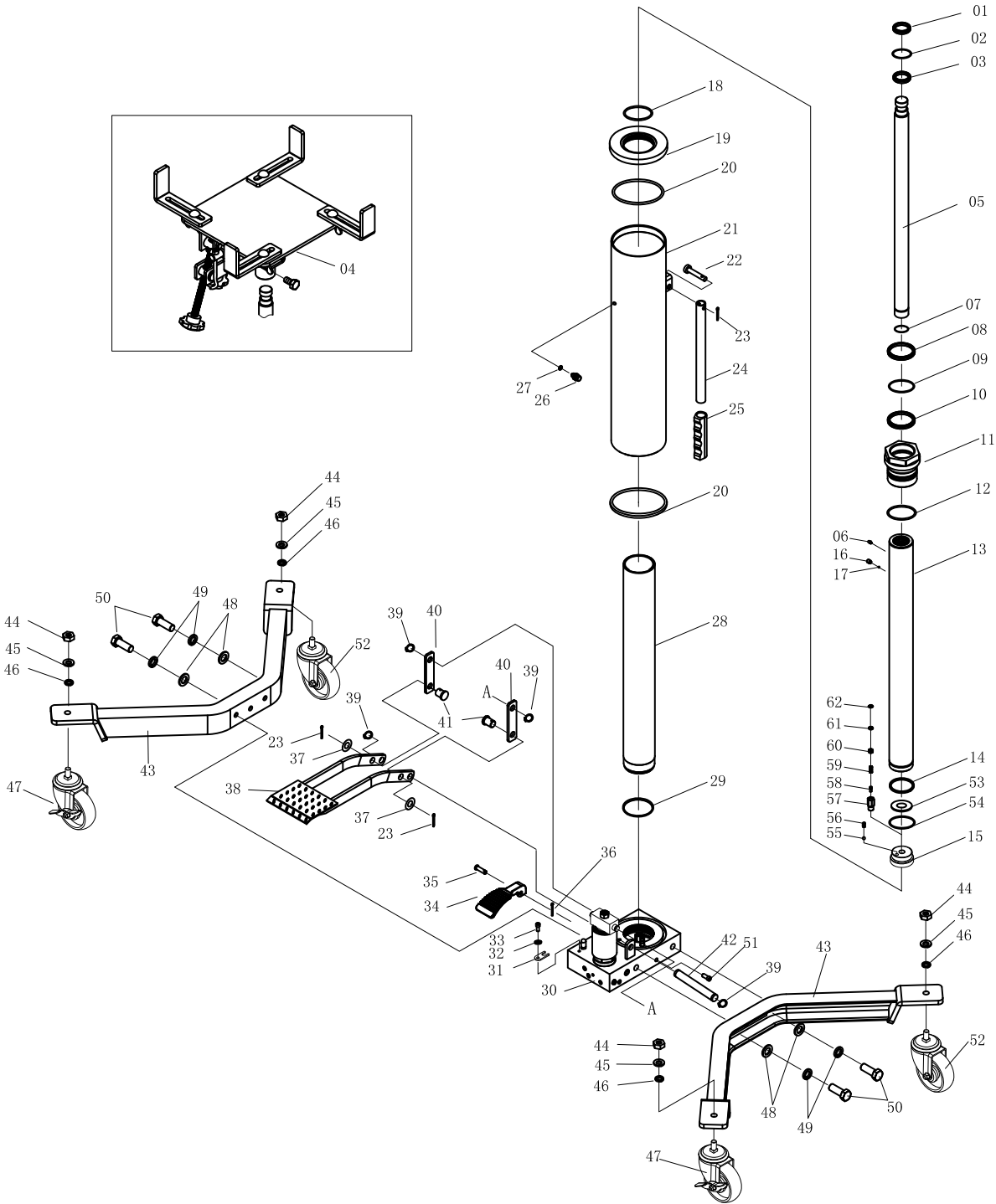
⚠CAUTION:

Use caution when troubleshooting a malfunctioning Transmission Jack. Stay well clear of the supported load. Completely resolve all problems before use. If the Transmission Jack is malfunctioning, have a qualified technician inspect and repair the Transmission Jack before use. After the Transmission Jack is repaired, test it carefully without a load by raising it and lowering it fully, checking for proper operation.



1,000 LB. 2 STAGE TELESCOPING TRANSMISSION JACK

PRODUCT LAYOUT



NOTE: The manufacturer and/or distributor have provided the parts list and assembly diagram in this manual as a reference tool only. Neither the manufacturer nor distributor makes any representation or warranty of any kind to the buyer that he or she is qualified to make any repairs to the product, or that he or she is qualified to replace any parts of the product. In fact, the manufacturer

and/or distributor expressly states that all repairs and parts replacements should be undertaken by certified and licensed technicians, and not by the buyer.

The buyer assumes all risk and liability arising out of his or her repairs to the original product or replacement parts thereto, or arising out of his or her installation of replacement parts thereto.



1,000 LB. 2 STAGE TELESCOPING TRANSMISSION JACK

PARTS LIST

Figure	Description	Qty.
01	Dust Ring	1
02	O Ring	1
03	Seal Ring	1
04	Saddle	1
05	2nd Stage Ram	1
06	Grease Fitting	1
07	Retainer Ring	1
08	Dust Ring	1
09	O Ring	1
10	Seal Ring	1
11	Ram Nut	1
12	O Ring	1
13	1st Stage Ram	1
14	Retainer Ring	1
15	End Cap	1
16	Screw	1
17	Steel Ball	1
18	O Ring	1
19	Nut Seat	1
20	Seal Ring	2
21	Oil Barrel	1
22	Pin	1
23	Pin	3
24	Handle	1
25	Handle Grip	1
26	Vent Screw	1
27	Seal Ring	1
28	Cylinder	1
29	Seal Ring	1
30	Pump	1
31	Limit	1

Figure	Description	Qty.
32	Lock Washer	1
33	Screw	1
34	Release Pedal	1
35	Pin	1
36	Pin	1
37	Flat Washer	2
38	Pump Pedal	1
39	Retainer Ring	4
40	Linkage	2
41	Pin	2
42	Pin	1
43	Base	2
44	Nut	4
45	Flat Washer	4
46	Lock Washer	4
47	Locking Castor	2
48	Flat Washer	4
49	Lock Washer	4
50	Bolt	4
51	Screw	2
52	Wheel	2
53	Washer	1
54	O Ring	1
55	Steel Ball	1
56	Spring	1
57	Valve Seat	1
58	Bar	1
59	Spring	1
60	Valve Core	1
61	Filter	1
62	Retainer Ring	1

NOTE: Not all components of the Transmission Jack are replacement reference for location and posting in the assembly sequence.



1,000 LB. 2 STAGE TELESCOPING TRANSMISSION JACK

WE STAND BEHIND OUR TOOLS. OEMTOOLS® 1 YEAR WARRANTY

If within 1 year from the date of purchase of this OEMTOOLS product, you find any defect in material or workmanship, through normal usage, return it to the place of purchase or to OEMTOOLS® for repair or replacement at our discretion. In order to obtain this service, send your tool and proof of purchase (transportation pre-paid) to:

OEMTOOLS® Q.A. Dept., 3580 E. Raines Road #3, Memphis, TN 38118.

We will not be responsible for lost or damaged goods during transportation; please insure your package. If our inspection verifies the defect, we will repair or replace the product, or we may elect to refund the purchase price if we cannot readily and quickly provide you with a replacement. We will return repaired products at our expense, but if we determine there is no defect, or that the defect resulted from causes not within the scope of our warranty, then you must bear the cost of returning the product.

OEMTOOLS® does not provide warranty for products labeled other than OEM® or OEMTOOLS®. OEMTOOLS® will not provide any warranty for products subjected to abnormal use. Abnormal use includes (but is not limited to) abuse, accident, alteration, neglect, and unauthorized or unreasonable use or repairs. This warranty does not cover bits, blades, files, batteries, or calibration. We recommend that you maintain your tools and sharpen or replace blades, bits, files, and batteries as necessary. OEMTOOLS® reserves the right to make any changes in construction or design at any time without any obligation in incorporating such changes to tools or equipment previously sold.

OEMTOOLS® makes every effort to ensure that its products meet high quality and durability standards, and warrants to the original purchaser that this product is free from defects in materials and workmanship. This warranty does not apply to damage due directly or indirectly to misuse, abuse, negligence or accidents, repairs or alterations outside our facilities, criminal activity, improper installation, normal wear and tear, or to lack of maintenance.

OEMTOOLS® is not responsible for damaged shipments or shortages resulting from carrier mishandling. Notify your carrier's office immediately to file a claim. Keep damaged goods and containers for inspection until advised by the carrier as to disposal.

We shall in no event be liable for death, injuries to persons or property, or for incidental, contingent, special or consequential damages arising from the use of our product. Some states do not allow the exclusion or limitation of incidental or consequential damages, so the above limitation of exclusion may not apply to you. THIS WARRANTY IS EXPRESSLY IN LIEU OF ALL OTHER WARRANTIES, EXPRESS OR IMPLIED, INCLUDING THE WARRANTIES OF MERCHANTABILITY AND FITNESS. This warranty gives you specific legal rights, and you may also have other rights, which vary from state to state.

Please contact us at customerservice@oem-tools.com or call us at 901-370-1101 for additional information or questions.

Thank you for your purchase.

CONTACT US

3580 E. Raines Road, Suite 3, Memphis, TN 38118
Tel: 1-866-458-2472
www.oem-tools.com